

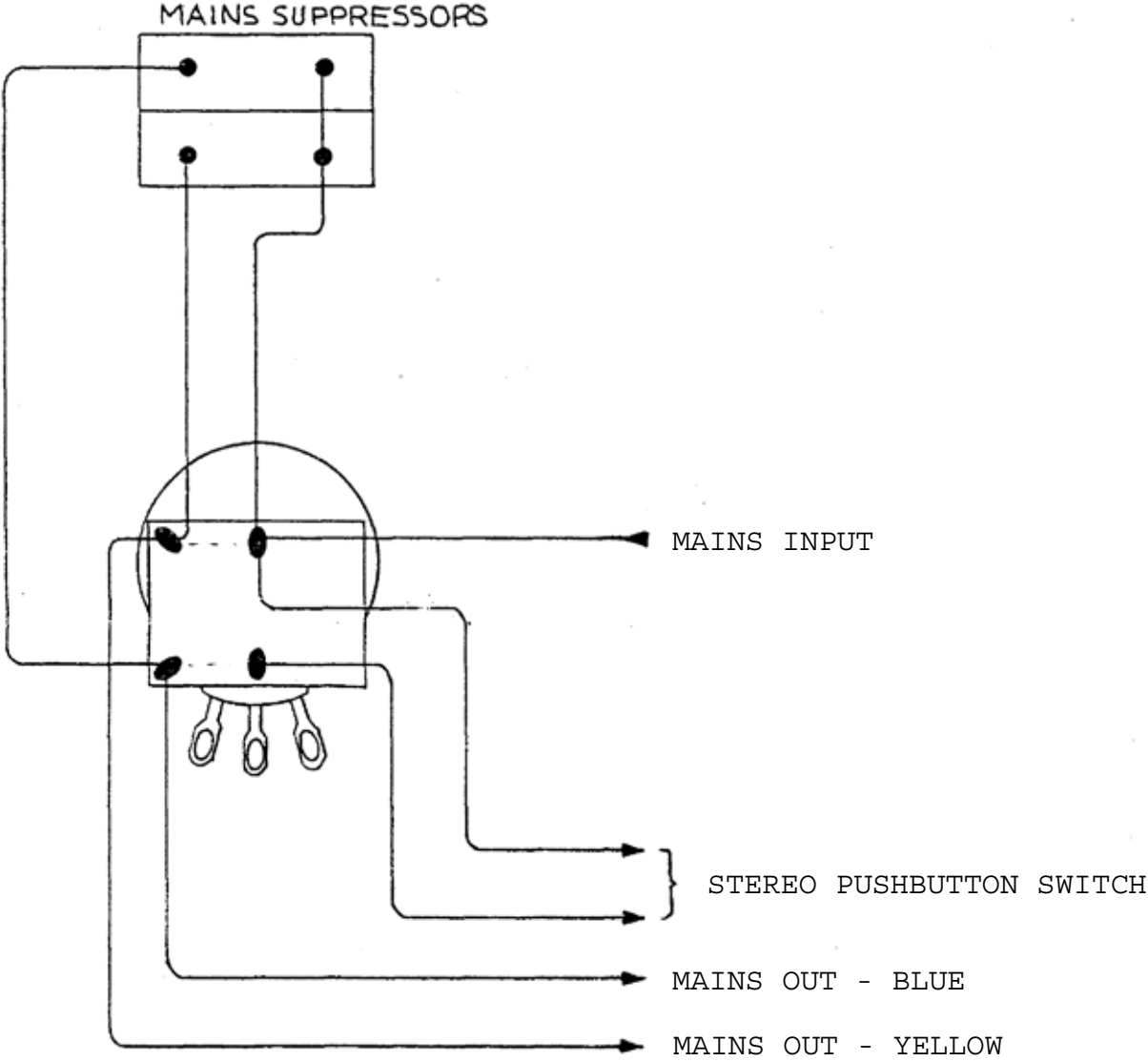
R22VOLM

MODIFICATION KIT FOR
REPLACING QUAD 22 VOLUME / BALANCE CONTROL

CONTENTS

1	CSK screw 6BA X 0.312"	(2)	TB605EA
2	6BA nut	(4)	TB6FHPA
1	connecting link	(5)	M22VCML
1	bush	(7)	M22VCMB
1	volume control & nut	(8)	R22VOLC
1	slider balance control	(9)	R22BALB
2	screws 3/16" x 2Z black	(10)	TC205PF
1	bracket	(11)	M22VCMK
2	resistors 1.2k		R1k20G1
	sleeving blue		ISF3MP6
	yellow		ISF3MP4
	wire yellow		WM60124
	blue		WM60126
	blue/black		WM6012F
	black		WM60120
1	copper screen	(15)	M22VCMS
2	suppressors		NPMR20A

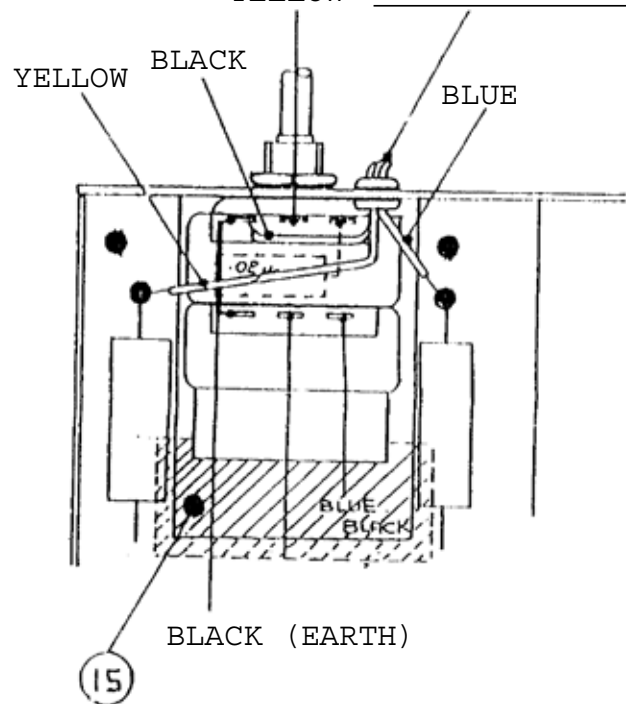
R22VOLM QUAD 22 REPLACEMENT VOLUME / BALANCE CONTROL



WIRING DETAIL FOR REPLACEMENT SWITCH

INSTRUCTIONS FOR REPLACING
QUAD 22 VOLUME / BALANCE CONTROL
R22VOLM

FIG. 2 YELLOW TO BALANCE CONTROL



QUAD Electroacoustics Ltd.
 Huntingdon

4th November 1986

made into pdf by K.Snook
 d.c. ~ daylight ltd. 2008

- (A) Remove front panel (four screws) and, referring to Fig.1 attached, volume control knob (1), bass control knob (13) and balance control (3).
- (B) Drill a countersunk hole in this disc .120" dia. (6BA clear) in line with the spindle hole and balance knob, 1/2 inch in from the circumference.
- (C) Fix new slider balance control (9) to bracket (11) by two screws (10) provided and secure in position shown using existing screw (12).
- (D) Insert screw (2) provided, through countersunk hole drilled in (3), secure with nut (4) add looped end of connecting link (5) and a second nut (6), leaving the link (5) free to move. Secure the nut (6) with a small spot of superglue, nail varnish or something similar.
- (E) If volume control (8) is faulty, enlarge the hole in the chassis to 10mm and fit the replacement control, slipping bush (7) on to its spindle. To reduce the possibility of mains hum, glue the copper screen supplied, insulation side towards the mains switch of the volume control, to the underside of the chassis as shown at (15) in Fig. 2 Connect to earth by soldering a short length of wire from the copper side to the earth tag between the 4k7 resistors R21 and R22.
- (F) If only the old balance control section is faulty, retain original volume control and merely disconnect its balance (front) section.
- (G) Slip balance control disc assembly (2,3,4,5 and 6) over bush (7) or original spindle as appropriate (see E & F above) so that it is free to rotate. Then gently open the slot in the balance pot lever (14), insert cranked end of connecting link, and squeeze slots back together to hold connecting link.
- (H) Connect balance control (9) and two 1.2k resistors as shown in Fig. 1.
- (I) Replace knobs and front panel

FIG 1.

